

Sidewinder



Electro-hydraulic drop arm beam

Boon Edam's Sidewinder is designed for the highest level of perimeter protection. The military-certified (OR098-09-88) Sidewinder drop arm beam deters both vehicle and pedestrian traffic. In order to receive the certification, the Sidewinder had to stop a 4535kg vehicle travelling up to 24km/h.

The Sidewinder drop arm beam is designed for areas where limited impact speeds are expected and offers increased perimeter security at an economical price. The unit's drop arm consists of a hinged, 10 x 10cm steel tube reinforced by an internal braided steel cable. The arm rotates and is secured

by a set of deep anchored end posts. A lock pin and padlock are provided to secure the barrier in the open or closed position. The standard hydraulic unit is supplied with a manual hand pump for barrier arm operation in case of power failure.

Your **Security.** Our **Solution.**

Construction

- All steel parts are standard hot dipped galvanised for corrosion protection.
- Highly visible yellow stripes is standard. Custom specified paint colors are available.
- Construction and installation by others, such as concrete foundation, rebar, roadway surface, conduit, wiring and hydraulic hoses.

Features & Options

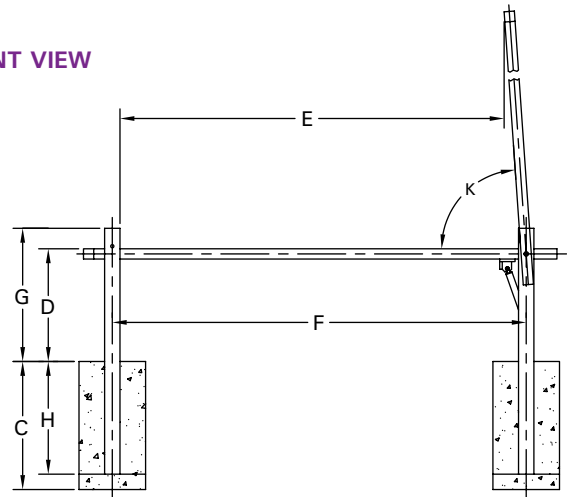
<i>Characteristics</i>	<i>Std</i>	<i>Opt</i>
Manual hand pump	•	
Hot-dipped galvanised	•	
Standard main operator control panel	•	
Custom main operator control panel		•
Remote operator control panel		•
2.2kW hydraulic unit	•	
3.7kW hydraulic unit		•
7.5kW hydraulic unit		•
Barrier-up position sensor	•	
Barrier-down position sensor	•	
Hydraulic oil heater/cooler		•
Vehicle detection loops		•
Traffic signal lights		•
Weather proof HPU enclosure	•	
Custom painted finish		•
PLC Programming	•	
Battery backup		•
Electrical Power Voltages:		
208-240 Volt AC, 3-Phase, 60 Hertz	•	
115-120 Volt AC, Single-Phase		•
208-240 Volt AC, Single Phase		•
380 Volt AC, 3-Phase		•
440-480 Volt AC, 3-Phase		•

Dimensions (mm)

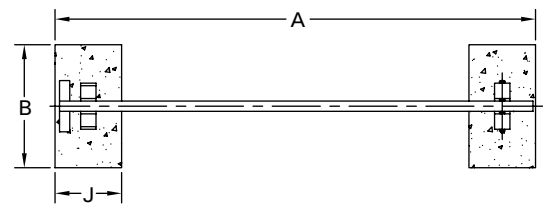
<i>A</i>	<i>B</i>	<i>C</i>	<i>D</i>	<i>E*</i>	<i>F</i>	<i>G</i>	<i>H</i>	<i>J</i>	<i>K</i>
5131	1219	1270	1118	3658	4105	1321	1118	660	86°
8788	1219	1270	1118	7316	8210	1321	1118	660	86°

* Widths can range between 3.6m and 7.3m

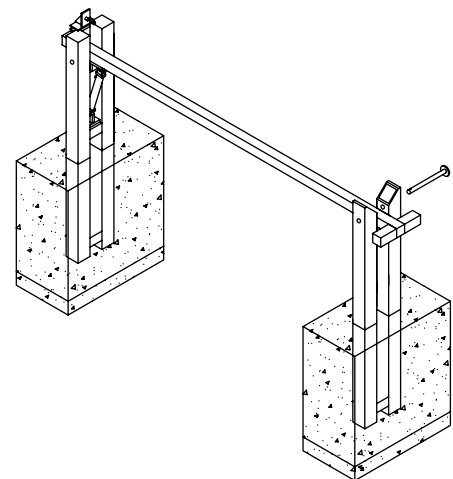
FRONT VIEW



TOP VIEW



ISOMETRIC VIEW



Boon Edam B.V.

P.O. Box 40, 1135 ZG Edam
The Netherlands

T +31 (0)299 38 08 08

E sales@boonedam.nl

F +31 (0)299 37 28 59

I www.boonedam.com